

4

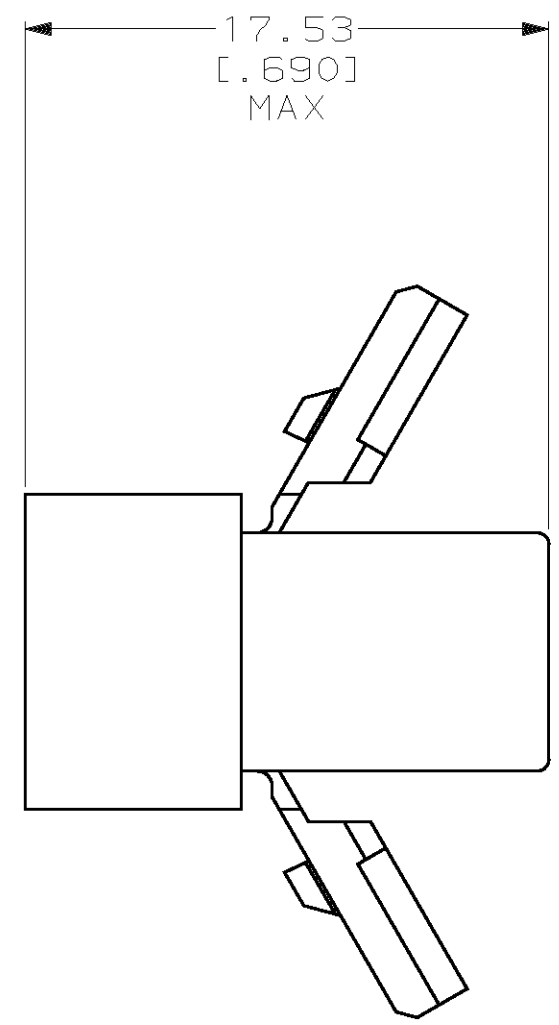
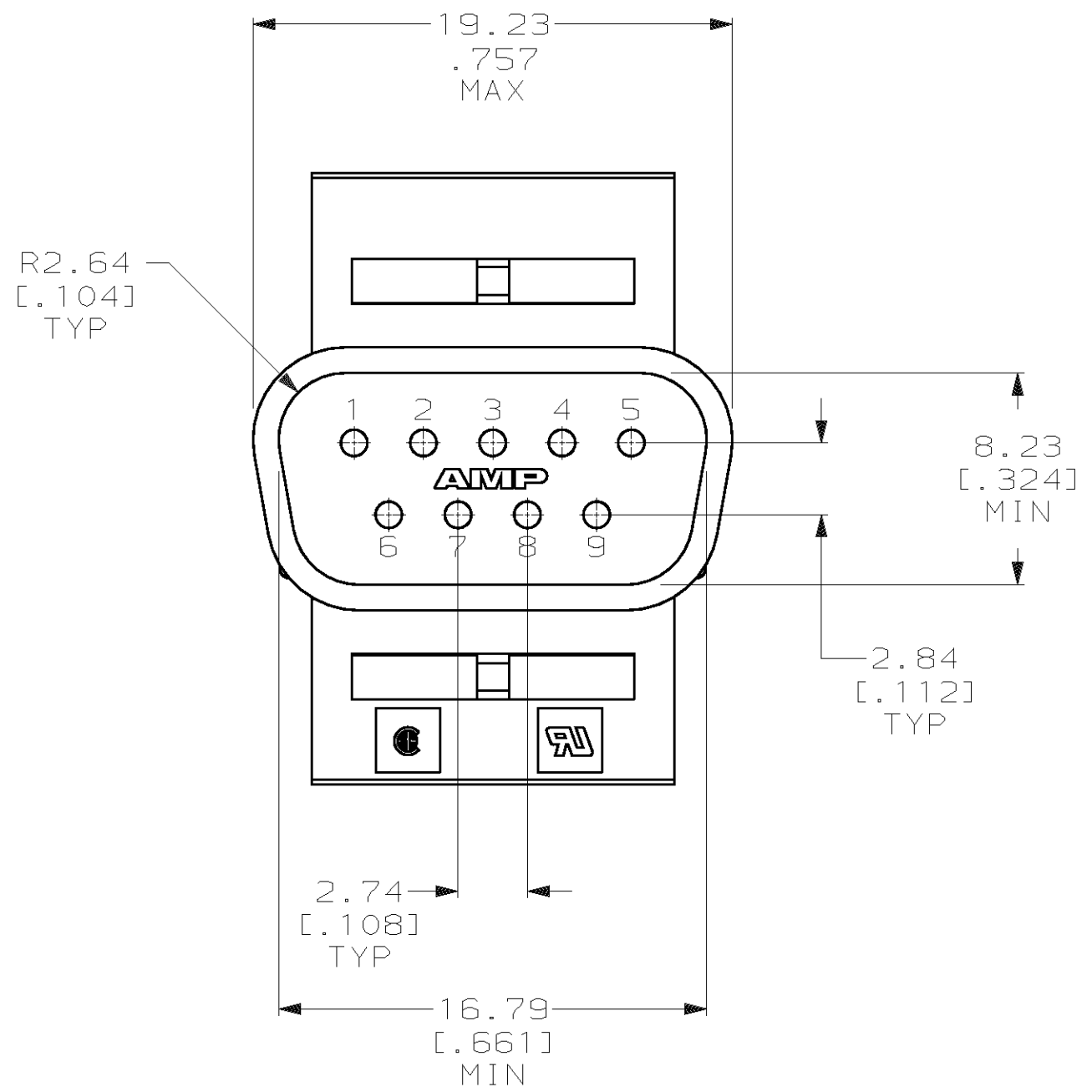
3

2

1

THIS DRAWING IS UNPUBLISHED. RELEASED FOR PUBLICATION ,19 .  
 © COPYRIGHT 19 BY AMP INCORPORATED. ALL RIGHTS RESERVED.

LOC	DIST	REVISIONS					
		P	LTR	DESCRIPTION	DATE	DWN	APVD
BD	48		A	REDRAWN W/O CHANGE PER EC 0G40-324-98	20 JAN 99	-	-



745032-1  
 PART NUMBER

THIS DRAWING IS A CONTROLLED DOCUMENT.		DWN	B. CARBO	20 JAN 99	<b>AMP</b> AMP Incorporated Harrisburg, PA 17105-3608
DIMENSIONS: mm [INCHES]		CHK	C. OBERMAN	22 JAN 99	
TOLERANCES UNLESS OTHERWISE SPECIFIED:		APVD	R. TAYLOR	25 JAN 99	NAME
0 PLC ±-		PRODUCT SPEC		PLUG HOUSING, 9 POSITION, AMPLIMITE™	
1 PLC ±-		APPLICATION SPEC		SIZE	
2 PLC ±0.13 [.005]		WEIGHT		CAGE CODE	
3 PLC ±-		CUSTOMER DRAWING		DRAWING NO	
4 PLC ±-		SCALE		SHEET	
ANGLES ±-		4:1		1 OF 1	
FINISH -		RESTRICTED TO		REV	
MATERIAL THERMOPLASTIC, BLACK UL 94V-2 RATED		A300779		C- 745032	
		A		A	